

BLANCO LINUS-S

Item No. 512402



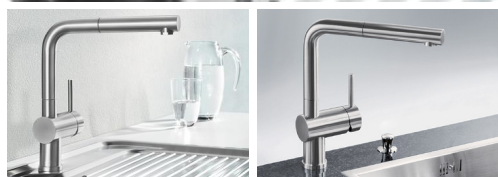
metallic surface
High Pressure

Pros



Practical in form and function

- Minimalist design
- Extendable spray head
- High quality metal spray
- High spout for easy filling of large pans and vases



Colours



Available colours



satin chrome



stainless steel
finish



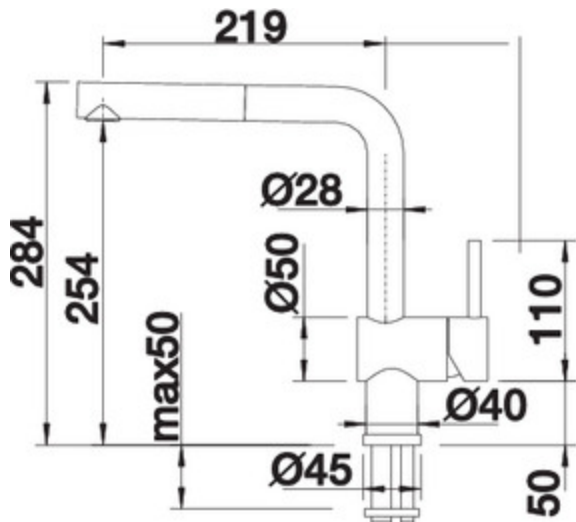
stainless steel



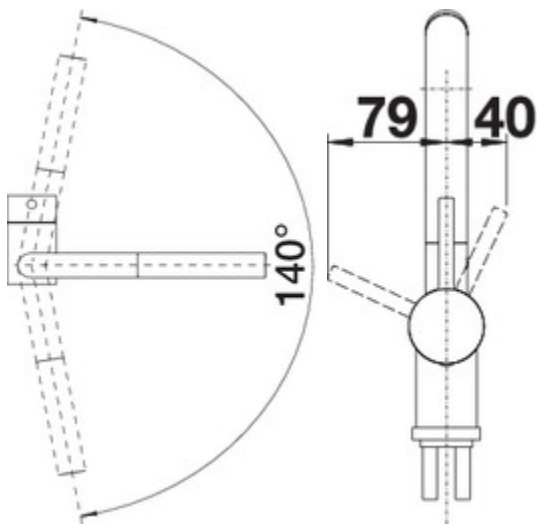
chrome

metallic surface
Item No. 512402
High Pressure

Details



Side View



Swivelling

Scope of supply

- Single-lever mixer tap
- Spout can be swivelled by 140°
- Ø 35 mm tap hole required
- With ceramic disk cartridge
- Metal-sheathed spray hose
- Flexible connector pipes, 450 mm long and 3/8" nut for particularly easy installation
- Patented jet regulator for markedly reduced scaling
- Stabilisation plate to increase the stability of the tap when fitted in stainless steel sinks
- With non-return valve and thus guaranteed against reflux in accordance with EN 1717
- LGA approved
- Planned for DVGW certificate